

# NOVA 5" Single Color Light Head

## SH6 series

### FEATURES

**Operation Voltage**  
12/24VDC

**LEDs**  
6pcs 4 watt

**Lens**  
Clear Polycarbonate

**Housing**  
Die-cast Aluminum

**Mounting Type**  
Screw: 2pcs ST3.5\*16

**Waterproof**  
IP67

**Operating Temperature**  
-40°C ~ +65 °C

**Storage Temperature**  
-20°C ~ +65 °C

**Weight**  
84g

**Package**  
Box: 140\*35\*55mm  
Carton: 290\*190\*290mm  
50 pcs/carton

**Cable Length**  
0.3m

**Approval**  
ECE R10  
ECE R65 Class 2  
CISPR 25 Class 3  
SAE J595 Class 2  
California Title 13 Class B



### Horizontal installation

SH6-H 

SH6-H 

SH6-H 



### Vertical installation

SH6-V 

SH6-V 

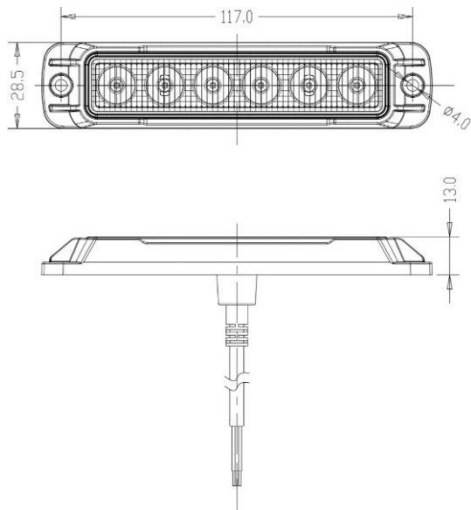
SH6-V 



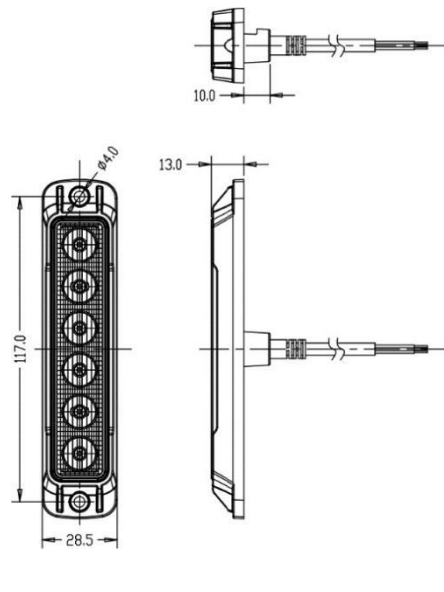
1. Ultra-slim body, only 13mm high
2. Finely designed polycarbonate lens shape produces
3. Aluminum die-cast housing provides excellent heat dissipation
4. Fully encapsulated for moisture, vibration and corrosion resistance
5. Faster and easier surface mounting via two screws
6. All models are suitable for various types of vehicle.

# Dimension

SH6-H series drawing



SH6-V series drawing



## Wiring Guide

- Red: Positive (+)
- Black: Negative (-)
- Yellow: Pattern switch (20 mode available) & Synchronous
- White: Asynchronous

### **Pattern Switch**

Momentarily apply Red wire to Green wire, once for next pattern.  
Touch and hold for 5 seconds to reset to FP#1 (Single Flash R65 Class 2).

### **Synchronous operation wiring:**

1. Connect all the red wires together, connect the black wires together, and connect the yellow wires together.
2. Power on and connect the yellow wires to the positive wire for about 3 seconds, then release the sync wire, all the lights enter sync mode.
3. After entering the synchronous mode, connect the yellow wires to the positive pole of the power supply for about 1 second and then release to switch the flashing mode.
4. If the lights are not synchronized after a period of using, please follow step 2 again.

### **Asynchronous operation wiring:**

Set all lights to the same flash pattern, connect yellow wires together.  
Connect white wire to positive from the one you wish to alternate, and lights will flash alternately.

# Flashing Mode

Pattern	Flashing Mode	FPM
1	Single flash, ECE R65 Class 2 (by day)	150
2	Single flash, ECE R65 Class 1 (by night)	150
3	Double Flash	150
4	Quadruple Flash	150
5	Quintuple Flash	150
6	Strobe	1500
7	Combination 1	/
8	Combination 2	/
9	Single Flash, California Title 13	75
10	Combination 3	/
11	Alternate Single Flash	300
12	Alternate Double Flash	300
13	Alternate Quadruple Flash	300
14	Alternate Quintuple Flash	300
15	Alternate Strobe	35
16	Combination 4	/
17	Combination 5	/
18	Combination 6	/
19	Left Double Flash/Right Single Flash	/
20	Cruise (30% brightness by night)	/